

INDUSTRIAL HEAT TRANSFER, INC.

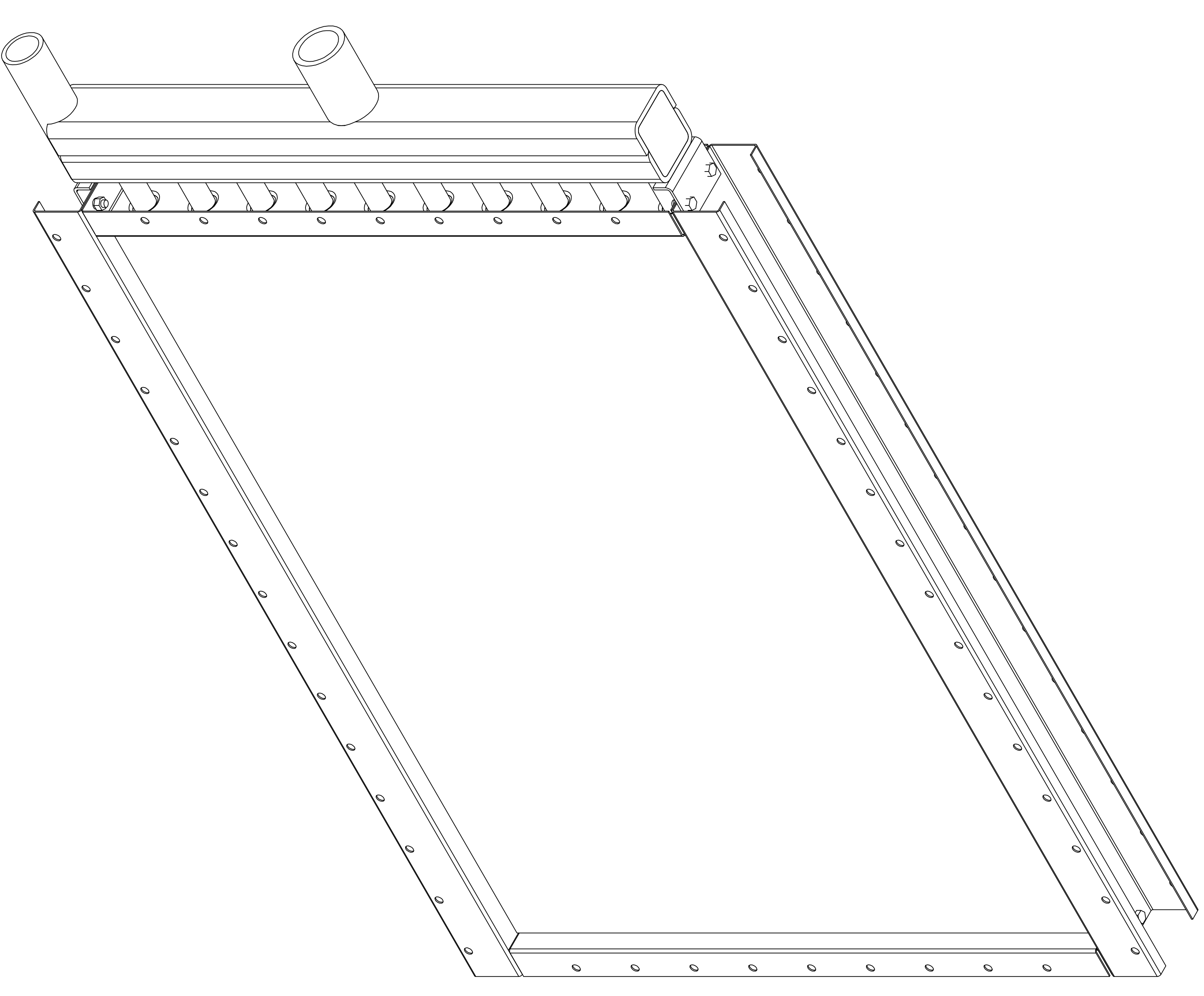
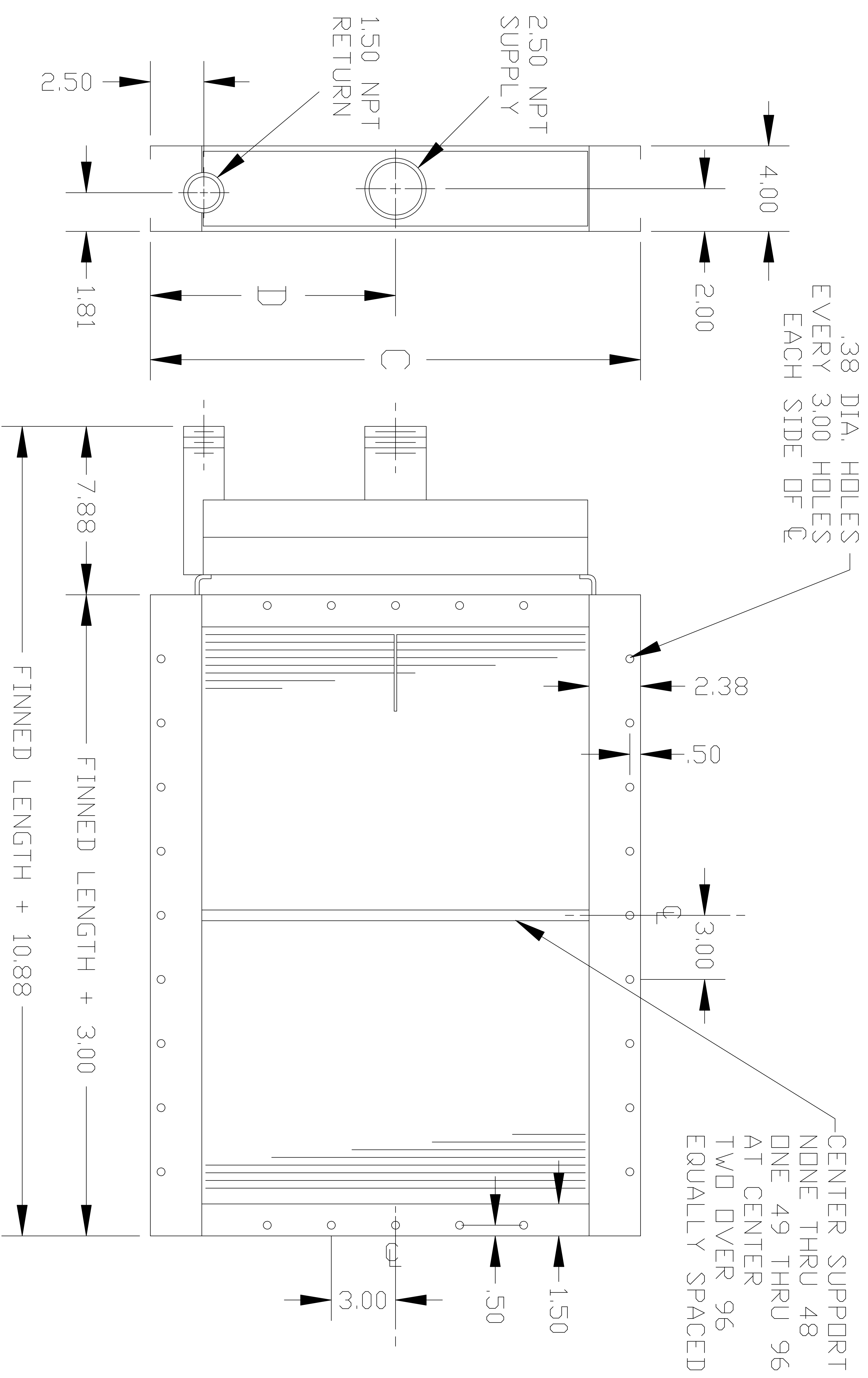
TYPE 'S' HPPSD-S

STEAM COILS

1 ROW

IHT-04

DATE: 1-5-09
SUPERSEDES: 9-1-90



FINNED WIDTH	C	D
12	16.94	8.50
18	22.94	11.50
24	28.94	14.50
30	34.94	17.50
33	37.94	19.00
36	40.94	20.50
42	46.94	23.50
48	52.94	26.50

FIN MAT'L	FIN SERIES			
ALUM.	42	60	72	96
COPPER				108 132

TUBE MAT'L
COPPER
90-10 CU-NI
STN. STL.

	RIGHT HAND	LEFT HAND