



INDUSTRIAL HEAT
TRANSFER, INC.

TYPE "NS"

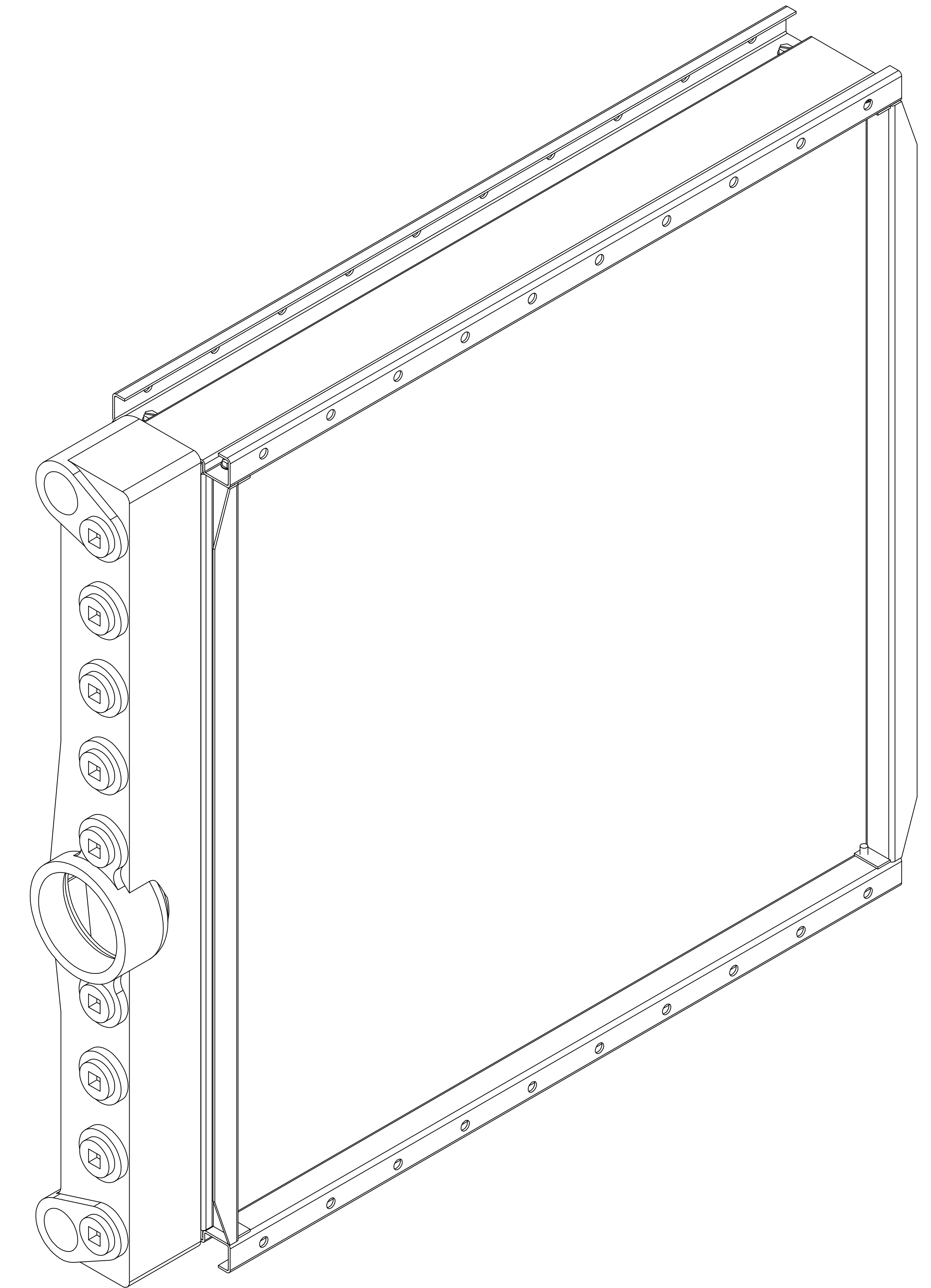
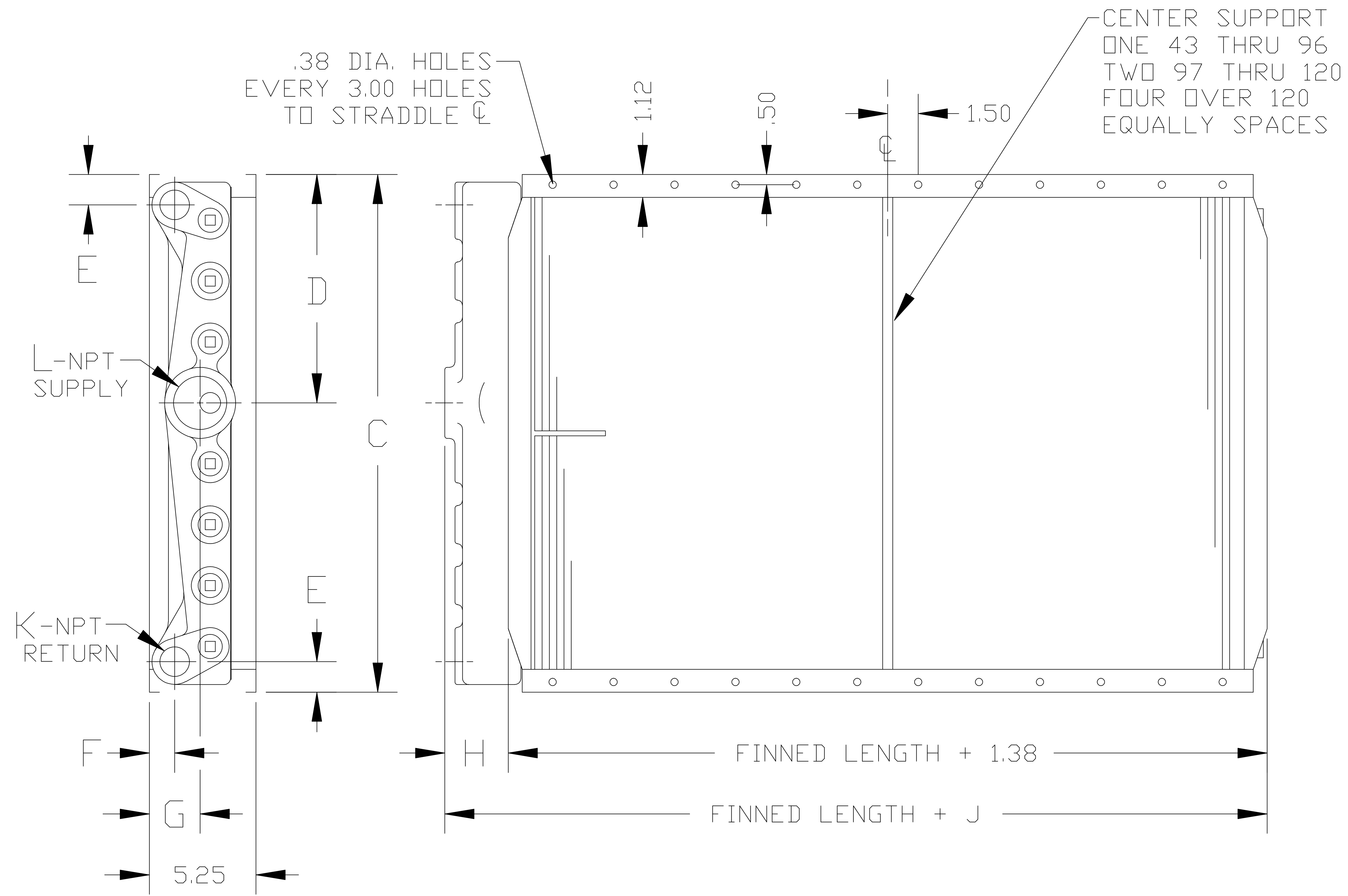
STEAM COILS

1 ROWS

IHT-02

DATE: 12-22-08

SUPERSEDES: 9-1-90



FINNED WIDTH	C	D	E	F	G	H	J	K	L
12	13.50	5.25	1.81	1.31	2.75	2.50	3.88	1.00	1.50
18	19.50	8.25	1.81	1.31	2.50	2.50	3.88	1.00	2.00
24	25.50	11.25	1.50	1.25	2.50	2.88	4.25	1.25	2.50
30	31.50	14.25	1.50	1.25	2.50	3.38	4.75	1.25	3.00
33	34.50	17.25	1.50	1.25	2.50	3.38	4.75	1.25	3.00

<input type="checkbox"/>	HORIZONTAL R.H. & L.H. OR VERTICAL UP
<input type="checkbox"/>	VERTICAL DOWN

FIN MAT'L	FIN SERIES				
	42	60	72	96	108 132
<input type="checkbox"/> ALUM.					
<input type="checkbox"/> COPPER					

TUBE MAT'L
<input type="checkbox"/> COPPER
<input type="checkbox"/> 90-10 CU-NI
<input type="checkbox"/> STN. STL.