

INDUSTRIAL HEAT  
TRANSFER, INC.

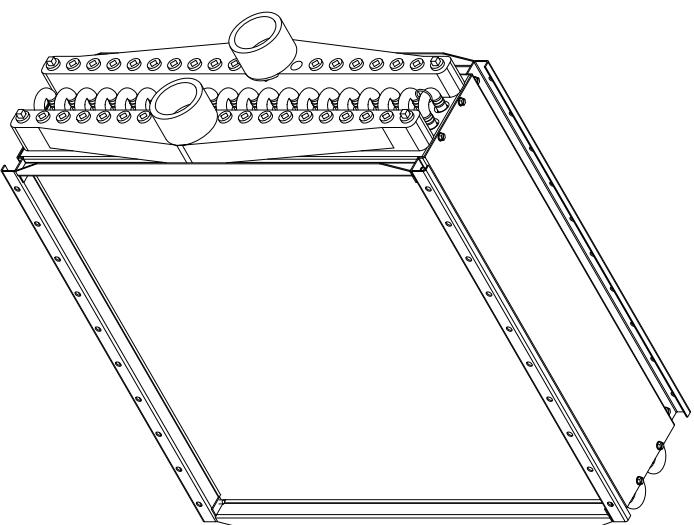
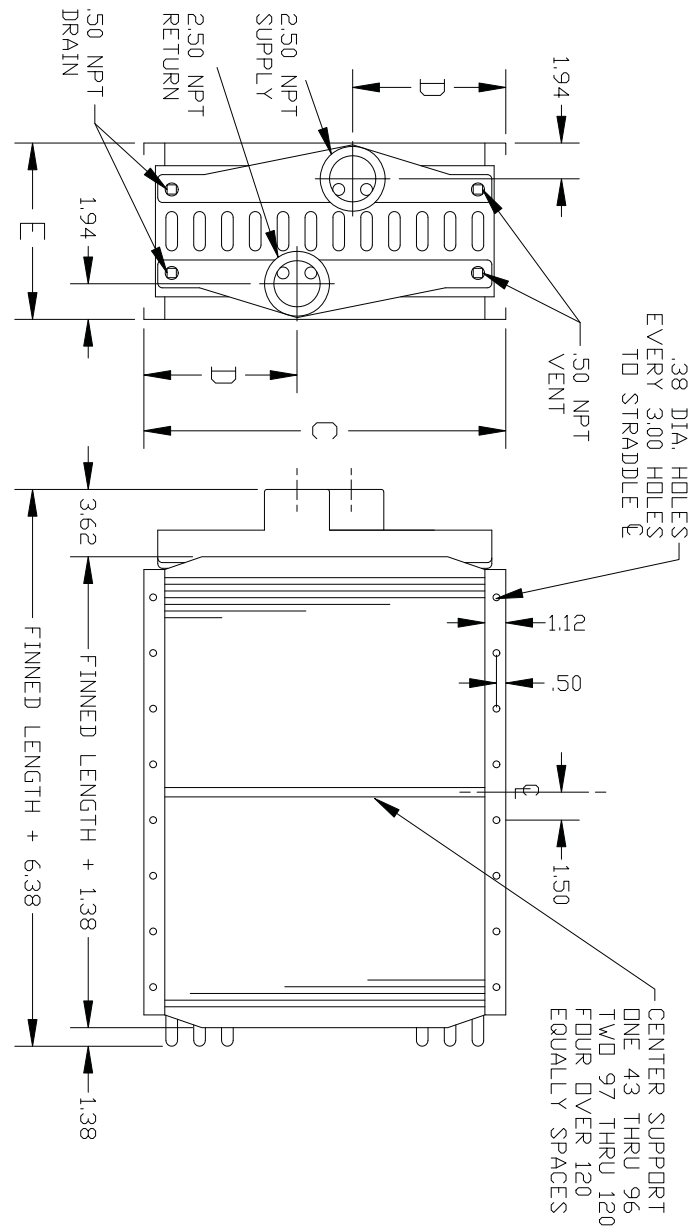


FLUIDS COILS 2,4,6,8,10 & 12 ROWS

TYPE "W"

IHT-14

DATE: 12-12-08  
SUPERSEDES: 9-1-90



FINNED WIDTH	C	D
18	19.50	8.25
24	25.50	11.25
30	31.50	14.25
33	34.50	15.75

COIL WIDTH # OF ROWS	E
2	6.50
4	9.50
6	12.50
8	15.50
10	18.50
12	21.50

FIN MAT'L	FIN SERIES
ALUM.	77 108 144 168
COPPER	

TUBE MAT'L
COPPER
RED BRASS
90-10 CU-NI

RIGHT HAND
LEFT HAND

INDUSTRIAL HEAT TRANSFER, INC. 54623  
300 OLD MILL ROAD, CDDN VALLEY, WI  
FAX (608)452-3429, TELEPHONE (608)452-3103